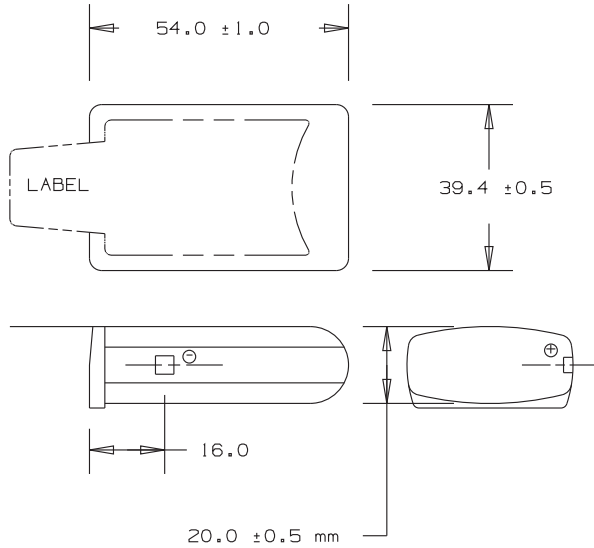




# Kodak Lithium Battery

# K323L

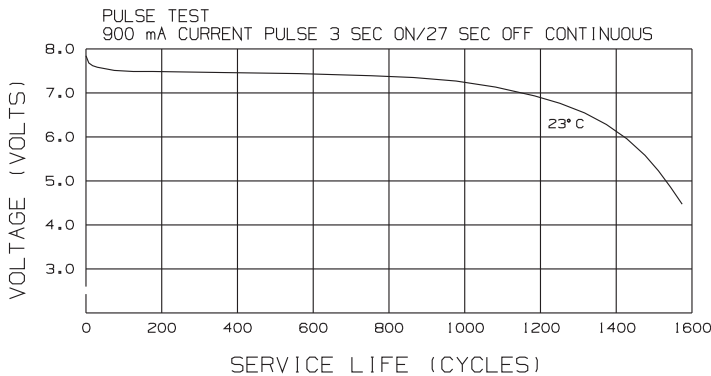
Effective : July 2003



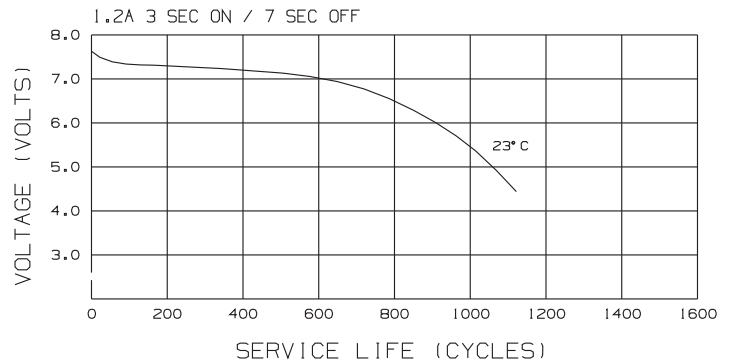
System:	Lithium/Manganese Dioxide, Li/MnO <sub>2</sub>
Designation:	ANSI 5045LC, IEC-
Nominal Voltage:	9.0 Volts (3 cells, 3 Volts each)
Capacity:	1,400 mAh at 5 mA to 5.4 Volts
Maximum Discharge:	1,000 mA Continuous, 3,000 mA Pulse
Temperature Range:	-40°C to 65°C Operating -20°C to 45°C Storage
Average Weight:	54 grams
Volume:	43.6 cm <sup>3</sup>
Terminals:	Custom
Jacket:	Plastic Housing/Film Label
Lithium Content:	<0.5 grams/Cell, <1.5 grams/Battery

NOTE: 1) This battery complies with ANSI C18, IEC 60086, & EEC directive 91/157 standards.

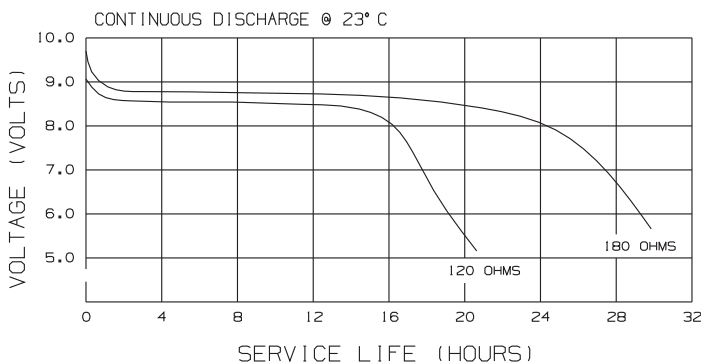
### Typical Pulse (Photoflash) Characteristics K323L



### Typical Pulse (Photoflash) Characteristics K323L



### Typical Discharge Characteristics K323L



Exclusively from  
Eastman Kodak Co.  
for

Kodak K10, K12, & K14 cameras

The curves and data in this publication represent product tested under the conditions specified. They do not represent standards or specifications which must be met by Eastman Kodak Company. The company reserves the right to change and improve product characteristics at any time.

For more information, contact  
EASTMAN KODAK COMPANY  
343 State Street  
Rochester, New York 14650-0811  
1-800-242-2424  
[www.kodak.com/go/batteries](http://www.kodak.com/go/batteries)